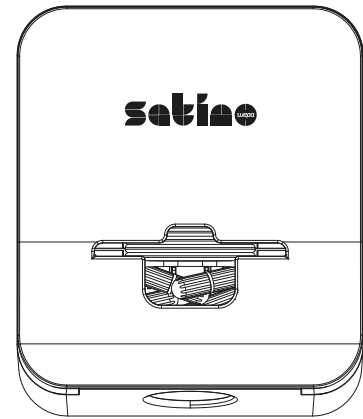


Assembly Instructions

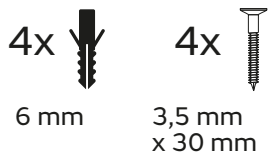
# HYGINITY Feminine Hygiene Dispenser FemCare

Item No.: 333442 / 333443

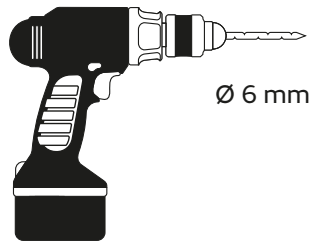
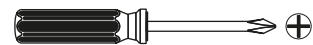
HYGINITY Damenhygienspender FemCare  
HYGINITY Dispenser voor vrouwelijke hygiëne FemCare  
HYGINITY Distributeur d'hygiène féminine FemCare  
HYGINITY Dozownik do higieny intymnej FemCare



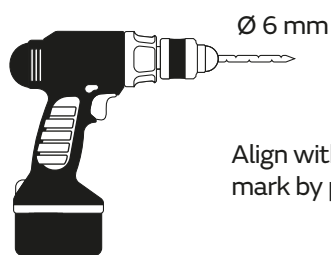
## Supplied



## Needed tools



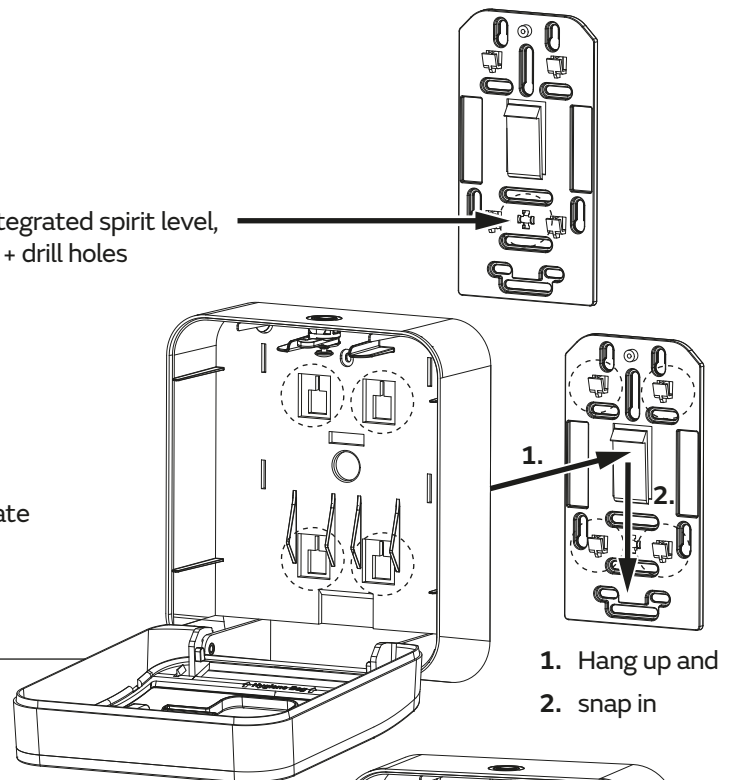
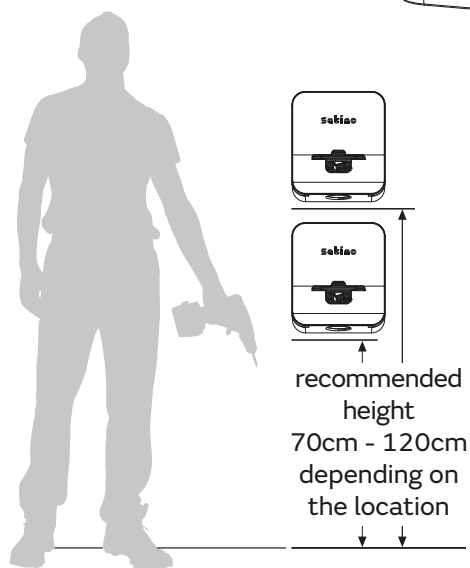
## Mounting Plate



Align with integrated spirit level, mark by pen + drill holes

Attaching  
Dispenser to  
Mounting Plate

## Preferred distance



Removing Dispenser from Mounting Plate

1. Press the inner snap and than
2. lift the dispenser.

Suitable for  
**FC1**

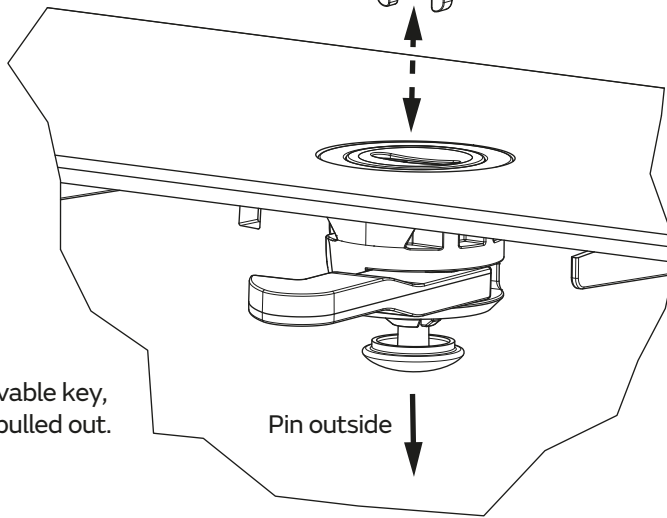
Suitable for  
**HB1**

**HYGINITY**  
**Feminine Hygiene Dispenser**  
**FemCare**

Item No.: 333442 / 333443

**Key options**

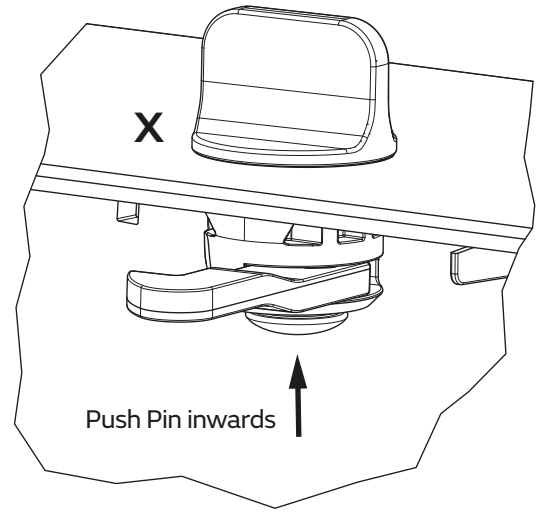
**Removable key**



To use the removable key, the pin must be pulled out.

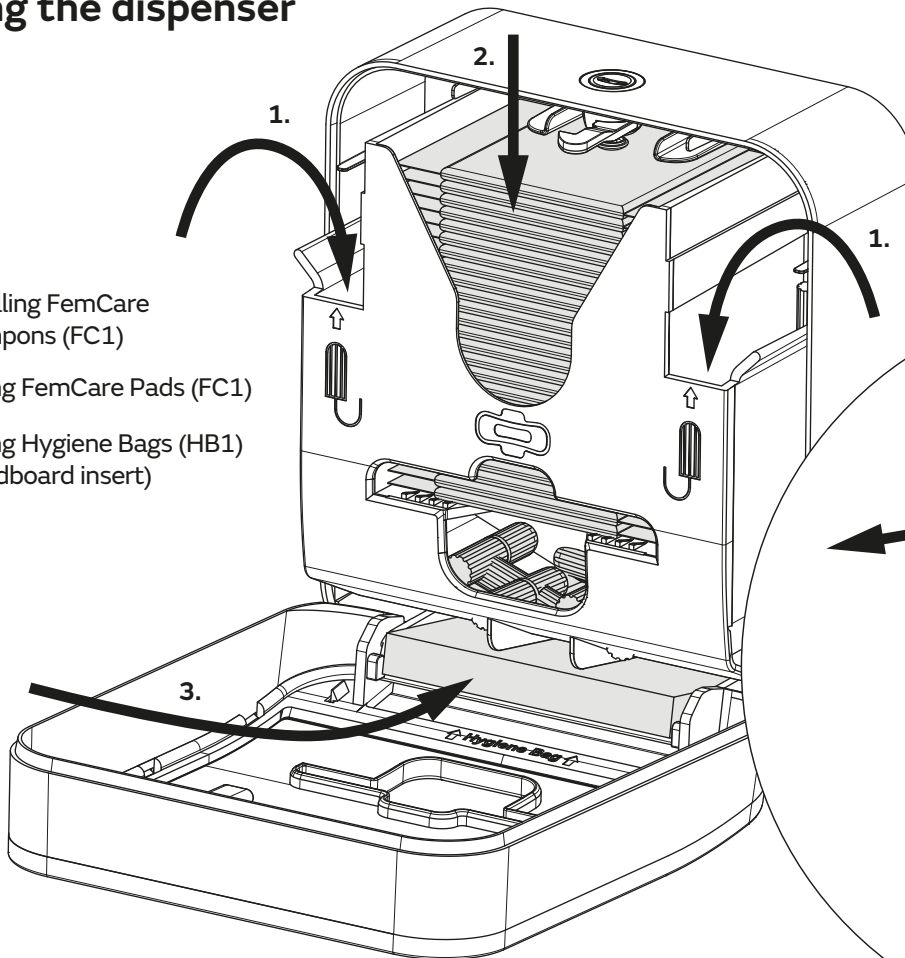
If you want to use the permanent key, press the pin in after you have inserted the key.

**Permanent Key**

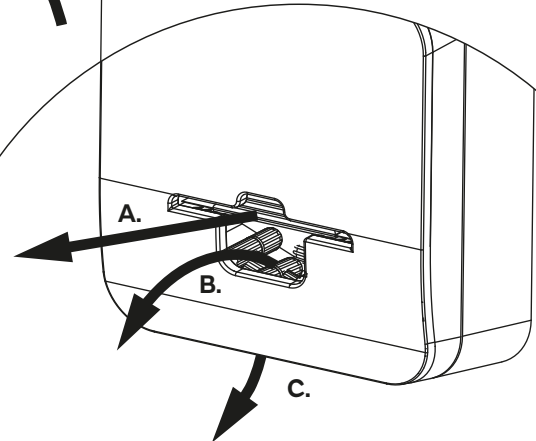


**Filling the dispenser**

1. Refilling FemCare Tampons (FC1)
2. Filling FemCare Pads (FC1)
3. Filling Hygiene Bags (HB1) (cardboard insert)



Please place **original** Satino FemCare (FC1) and HygieneBags (HB1) in the dispenser.



- A. Take out FemCare Pads
- B. Take out FemCare Tampons
- C. Take out Hygiene Bags